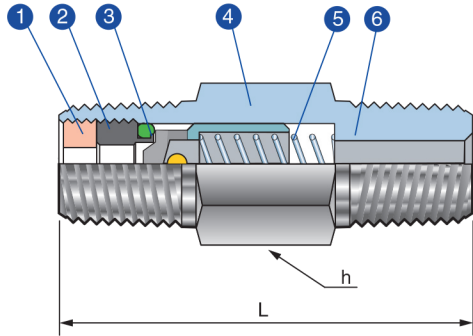


VC3C series

(3000 psig, Compact, Fixed Cracking Pressure)



Materials of Construction

No.	Description	Materials
1	Insert Lock Screw	316SS
2	Insert	316SS
3	O-ring	Viton
4	Poppet	316SS
5	Spring	302SS
6	Body	316SS

Ordering Information & Dimensions

Part Number	End Connection		Cv	Dimensions (mm)	
	Inlet	Outlet		L	h
VC3C1	F-04N-	1/4" Female NPT	0.35	61.0	19.05
	M-04N-	1/4" Male NPT		41.0	14.28
	MF-04N-	1/4" Male NPT 1/4" Female NPT		44.0	19.05
	FM-04N-	1/4" Female NPT 1/4" Male NPT		58.0	
VC3C2	F-08N-	1/2" Female NPT	1.20	94.0	26.98
	M-08N-	1/2" Male NPT		58.0	22.22
	MF-08N-	1/2" Male NPT 1/2" Female NPT		72.0	26.98

ISO7/1 Tapered Threads (PT) are available for all fractional sizes of VC series valves. Add "R" as a suffix instead of "N".

Dimensions are for reference only and are subject to change without prior notice.